

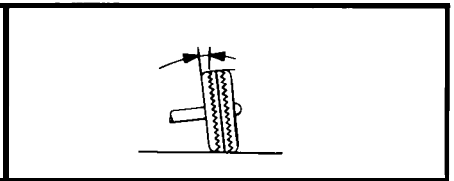
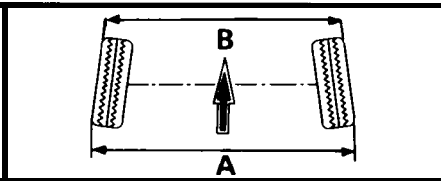
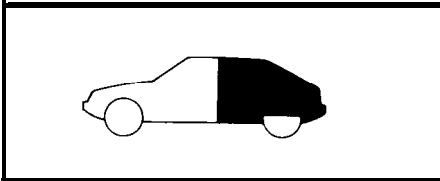


8



XM
420-00/1

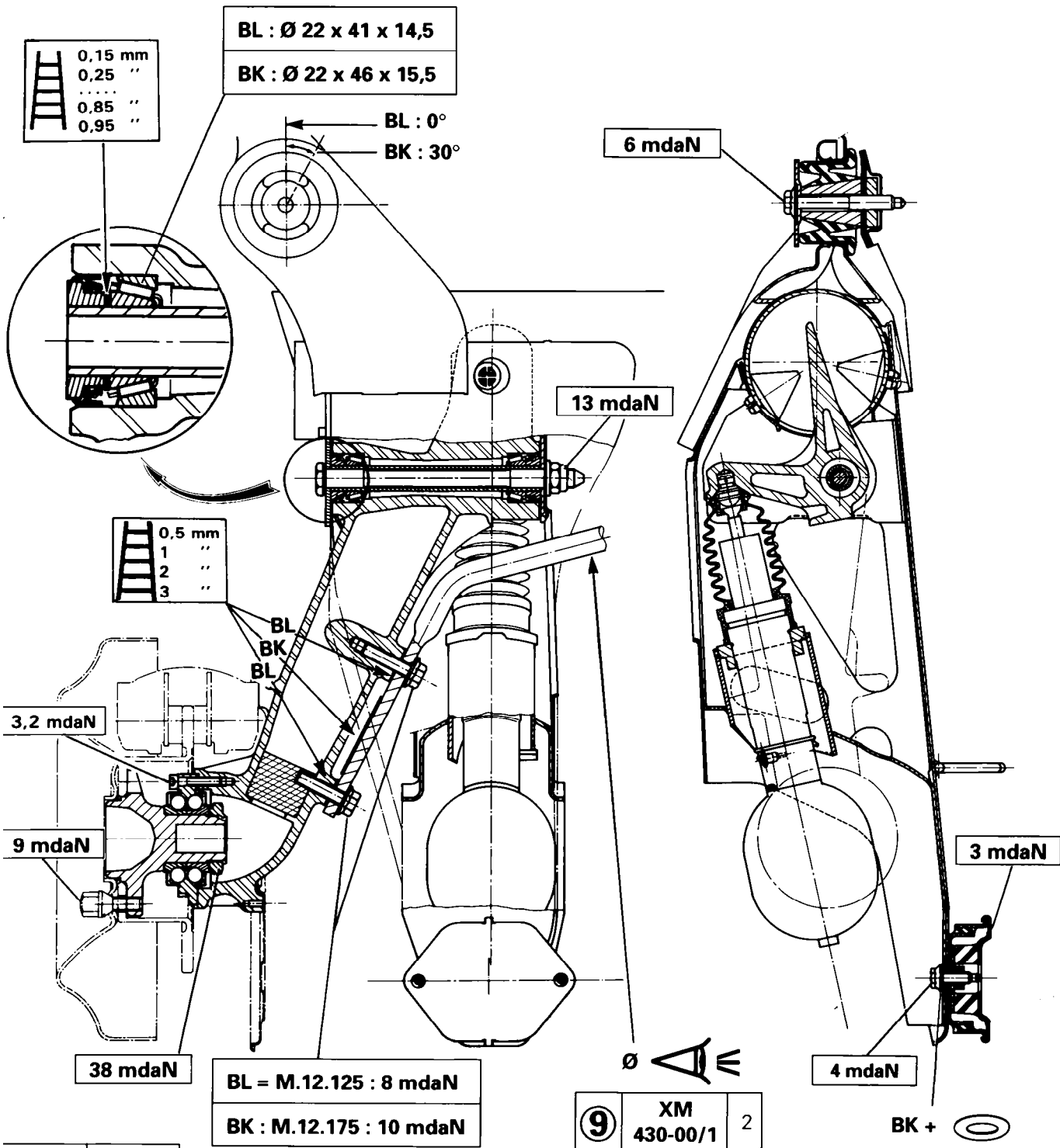
1



XM - TT

A > B + 0.5 mm ↔ +6.5 mm
(+0°5' ↔ +1°)

0° 50' ± 20'



Y.42-1 Y.42-2